

BM Series 60

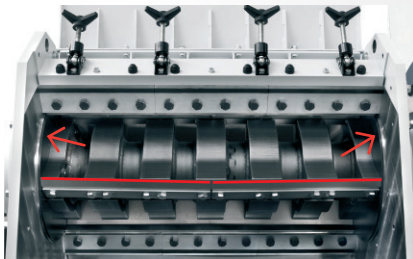


Your recycling needs. Our grinding solutions.

Granulators dedicated to scraps recovery from blow moulding: runners, blown pieces, in-line parison at high temperatures.
Off-line grinding of preforms and blown pieces.
Suitable for moulds or bulky and light thermoformed scraps.



Access without tools to the main parts subject to ordinary maintenance.



Rotary discs integral with the rotor and rings. Arrow cutting configuration for grinders with 3 or 5 knives; bench adjustment of rotating and fixed knives.



Rotor lock for maintenance. Safety devices and circuit in compliance with EEC Directives.



Grinding chamber water cooling. Screen surface equal to approximately 50% of knives rotation length.



Hopper opening with motorized jack and screen-holder opening by gas cylinder.

BM Series 60

FEATURES BM 7060

Feeding opening (mm): 730 x 570
 Nr. rotating / fixed knives: 3 / 2
 Rotor speed (RPM): 400
 Rotor diameter (mm): 500
 Motor (kW): 55
 Weight (kg): 3900
 Standard screen (mm): 9
 Indicative throughput (kg/hr): 700 ÷ 1000

FEATURES BM 11060

Feeding opening (mm): 1100 x 570
 Nr. rotating / fixed knives: 3 / 2
 Rotor speed (RPM): 400
 Rotor diameter (mm): 500
 Motor (kW): 75
 Weight (kg): 5700
 Standard screen (mm): 9
 Indicative throughput (kg/hr): 900 ÷ 1200

FEATURES BM 16060

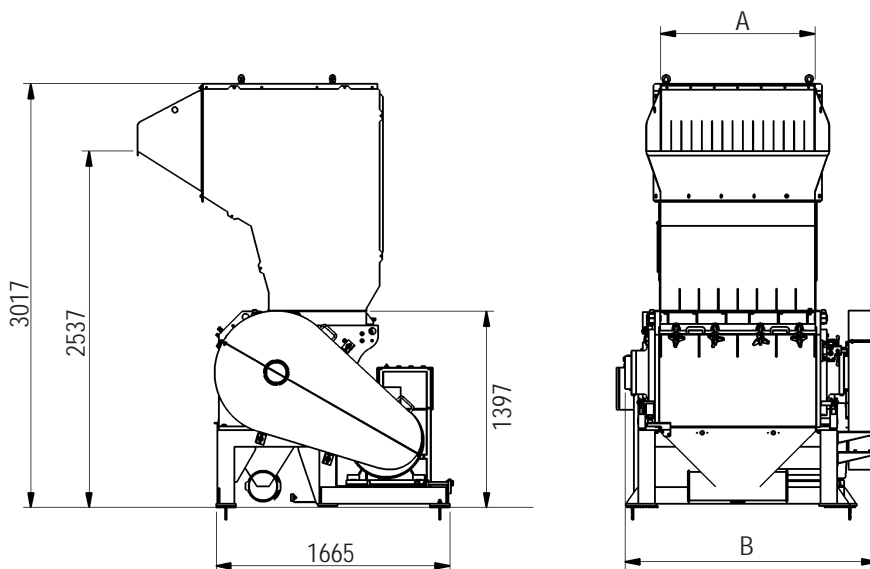
Feeding opening (mm): 1600 x 570
 Nr. rotating / fixed knives: 3 / 2
 Rotor speed (RPM): 400
 Rotor diameter (mm): 500
 Motor (kW): 90
 Weight (kg): 6000
 Standard screen (mm): 9
 Indicative throughput (kg/hr): 1200 ÷ 1500

OPTIONAL

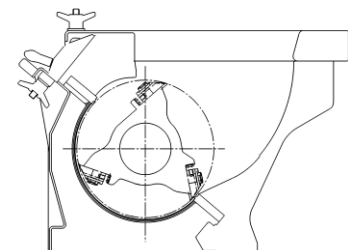
- A) Knives and screen in antiwear execution
- B) Soundproof box on board
- C) Fixed discs
- D) Aphonic tunnel for conveyor belt
- E) Level control
- F) Discharge with suction group not on board
- G) Hopper for bulky pieces
- H) Enlarged cutting chamber (7060 and 11060)

DIMENSIONS

	A	B
BM 7060	730	1430
BM 11060	1100	1795
BM 16060	1600	2300



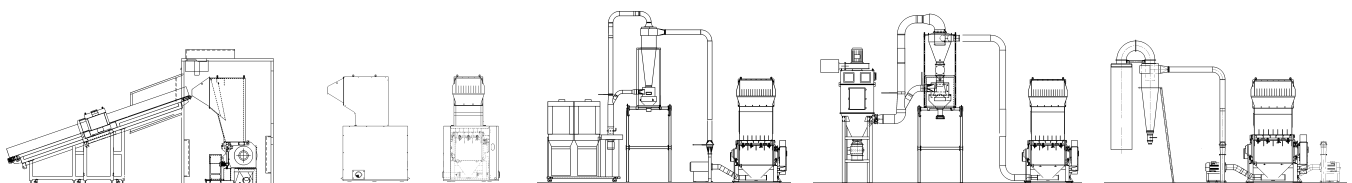
CHAMBER SECTION: BM SERIES



ACCESSORIES

Conveyor belt Soundproof on board Dust removing system LT Dust removing system DP Suction group not on board

- Metal detector
- Soundproof tunnel



Your recycling needs. Our grinding solutions.

TRIA Italy
www.trioplastics.com

TRIA America
 TRIA Brazil

TRIA China
 TRIA Germany