

TR Series 60

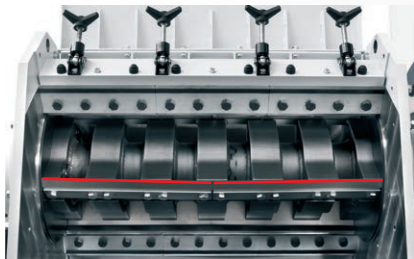


Your recycling needs. Our grinding solutions.

TR series is designed for the inline recovery of the thermoformed full sheet at the start-up, full sheet with cups up to 200 / 250 mm height of PP, PS, PET, PLA and mono and Coex ones. These machines can be installed on the ground, in the pit or below the trim press.



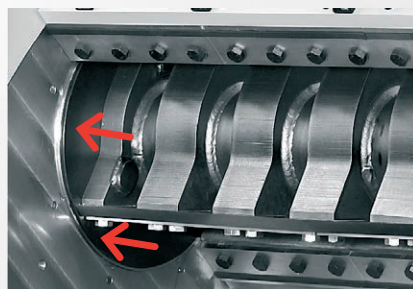
Access without tools to the parts subject to ordinary maintenance.



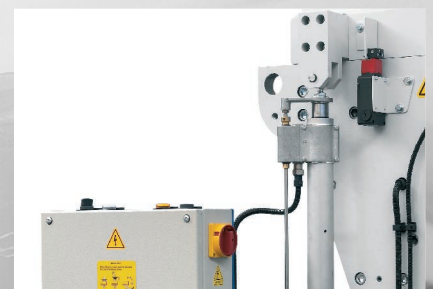
Arrow cutting configuration for 3 and 5 knives rotor. Bench adjustment of rotating and fixed knives.



Rotor lock for maintenance. Safety devices and circuit in compliance with EEC Directives.



Rotary discs integral with the rotor and containment rings. Chamber water cooling.



Hopper opening with motorized jack and screen-holder opening with gas cylinder.

TR Series 60

FEATURES TR 11060

Feeding opening (mm): 1100 x 570
 Nr. rotating / fixed knives: 3 - 5 / 2
 Forged wet rotor: 4 / 2
 Rotor speed (RPM): 400
 Rotor diameter (mm): 500
 Motor (kW): 55
 Weight (kg): 5700
 Standard screen (mm): 9
 Indicative throughput (kg/hr): 900 ÷ 1200

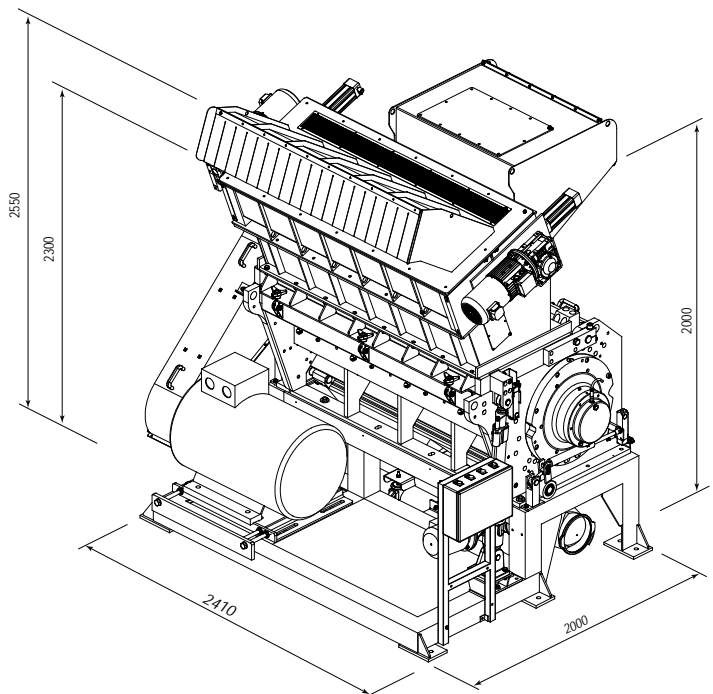
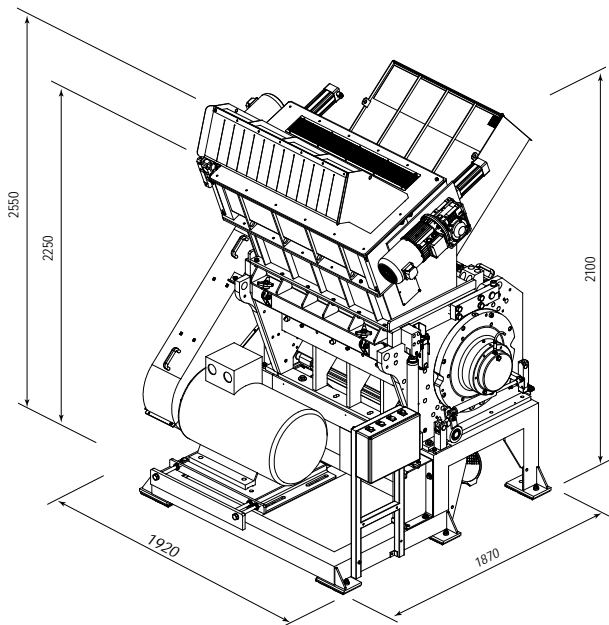
FEATURES TR 16060

Feeding opening (mm): 1600 x 570
 Nr. rotating / fixed knives: 5 / 2
 Forged wet rotor: 4 / 2
 Rotor speed (RPM): 400
 Rotor diameter (mm): 500
 Motor (kW): 90
 Weight (kg): 6000
 Standard screen (mm): 9
 Indicative throughput (kg/hr): 1200 ÷ 1500

OPTIONAL

- A) Knives and screen in antiwear execution
- B) Traction groups
- C) Hoppers for trims
- D) Soundproof on board
- E) Fixed discs
- F) Aphonetic tunnel for conveyor belt
- G) Level control
- H) Discharge with suction group not on board

DIMENSIONS

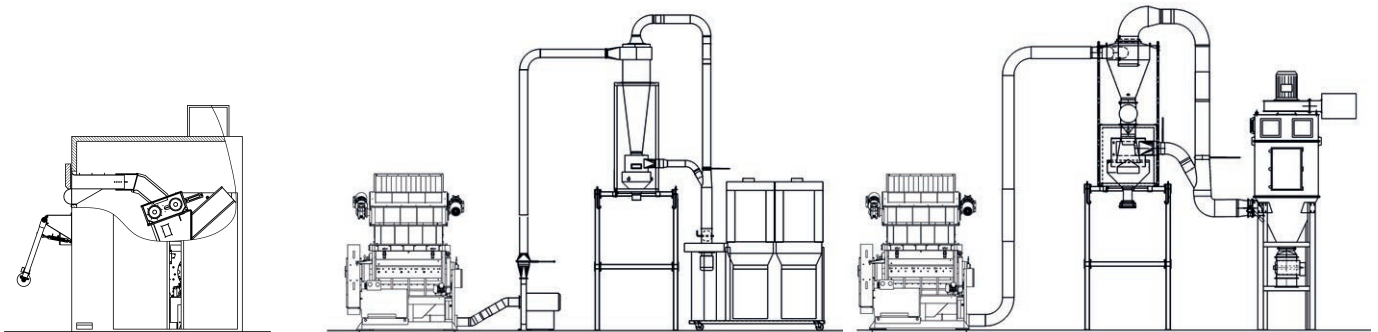


ACCESSORIES

Soundproof box and dancing arm

Dust removing system DP

Dust removing system LT



Your recycling needs. Our grinding solutions.

TRIA Italy
www.trioplastics.com

TRIA America
 TRIA Brazil

TRIA China
 TRIA Germany