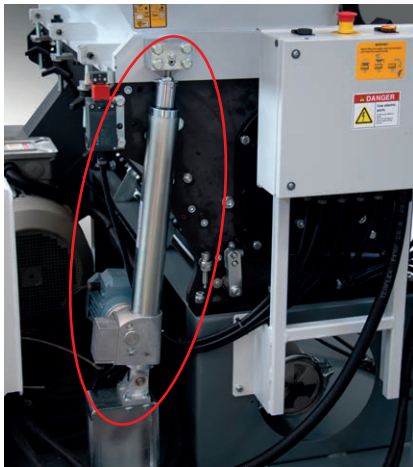


TR Series 42

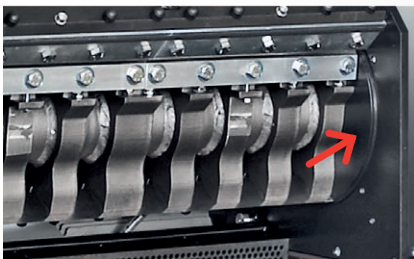


Your recycling needs. Our grinding solutions.

TR series is designed for the inline recovery of the thermoformed full sheet at the start-up, full sheet with cups up to 200 / 250 mm height of PP, PS, PET, PLA and mono and Coex ones. These machines can be installed on the ground, in the pit or below the trim press.



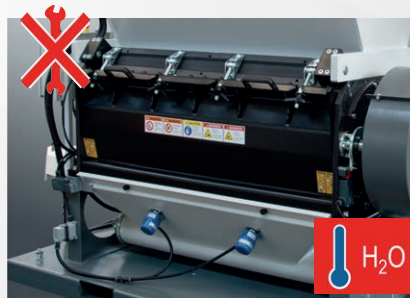
Hopper opening with motorized jack, screen-holder opening with gas cylinder. Electric control panel on board. Safety devices and circuit in compliance with EEC Directives.



Rotary discs integral with the rotor and rings. Bench adjustment of rotating and fixed knives.



Screen surface equal to approx. 50% of the knives rotation length.



Access without tools to the parts subject to ordinary maintenance. Chamber water cooling.



Keys for the fixing of motor pulley and flywheel. Pulley and flywheel manufactured as per drawing due to high inertia.

TR Series 42

FEATURES TR 9042

Feeding opening (mm): 910 x 420
 Nr. rotating / fixed knives: 3 - 5 / 2
 Rotor speed (RPM): 480
 Rotor diameter (mm): 360
 Motor (kW) 400V: 22
 Weight (kg): 2350
 Standard screen (mm): 7 - 9
 Indicative throughput (kg/hr): 600 ÷ 900

FEATURES TR 12042

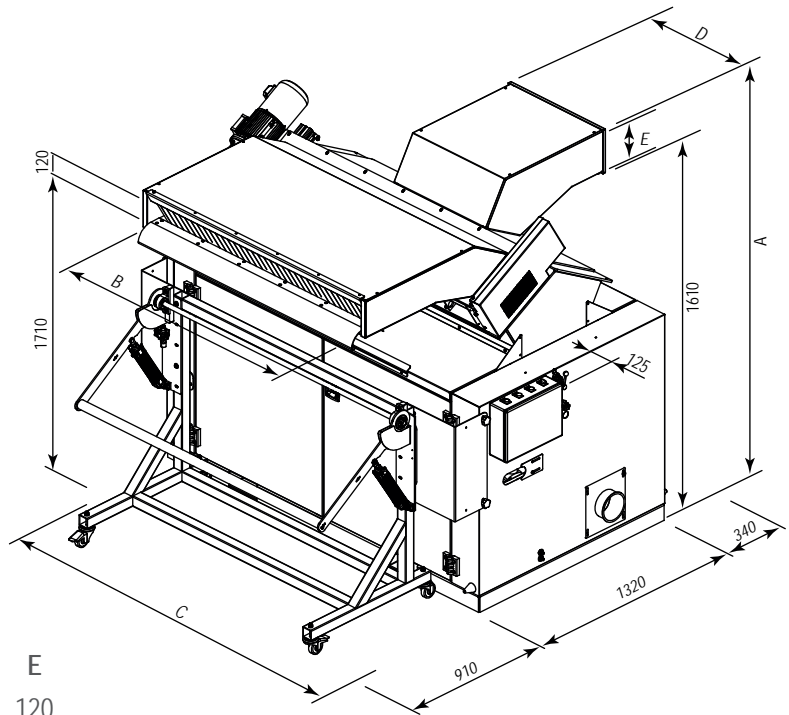
Feeding opening (mm): 1200 x 420
 Nr. rotating / fixed knives: 5 / 2
 Rotor speed (RPM): 480
 Rotor diameter (mm): 360
 Motor (kW) 400V: 30
 Weight (kg): 2800
 Standard screen (mm): 7 - 9
 Indicative throughput (kg/hr): 800 ÷ 1200

FEATURES TR 15042

Feeding opening (mm): 1520 x 420
 Nr. rotating / fixed knives: 5 / 2
 Rotor speed (RPM): 480
 Rotor diameter (mm): 360
 Motor (kW) 400V: 37
 Weight (kg): 3400
 Standard screen (mm): 7 - 9
 Indicative throughput (kg/hr): 1200 ÷ 1600

OPTIONAL

- A) Rotating and fixed knives in anti-wear execution
- B) Level control
- C) Discharge with suction group not on board
- D) Dancing arm
- E) Rotor with 5 knives
- F) Box on board
- G) Soundproofing with integral box

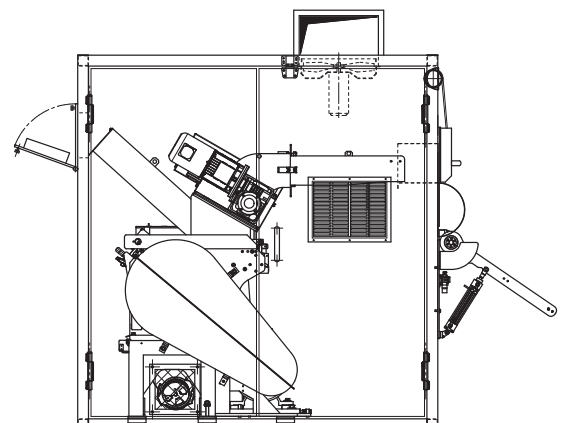
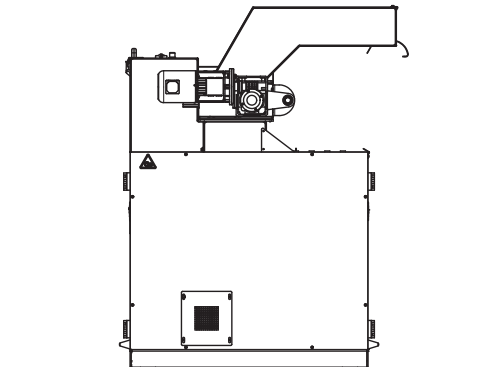


DIMENSIONS	A	B	C	D	E
TR 9042	2000	890	1590	400	120
TR 12042	1940	1240	1950	600	180
TR 15042	1940	1520	2200	600	180

ACCESSORIES

Box on board

Soundproof integral box



Your recycling needs. Our grinding solutions.

TRIA Italy
www.trioplastics.com

TRIA America
 TRIA Brazil

TRIA China
 TRIA Germany