

DGD HEAVY DUTY TWIN SHAFT SHREDDER

DGA/DGS/DGX/DGR/DGD/DGC/DGE/DGH/DGP/DPM

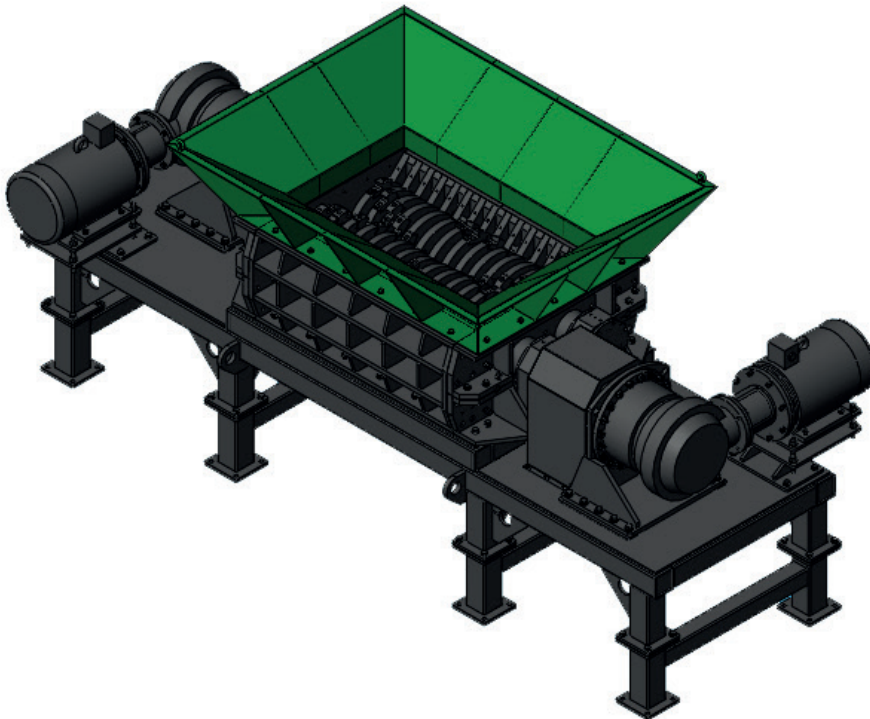


KEY FEATURES >

- Hexagonal shaft design
- Machined bolt-on cutting discs
- Robust heavy duty machine housing
- Low speed, high torque geared drive Bolt in drive shafts
- Multiple blade designs
- Auto reverse function
- Shock absorbing gearbox
- Case hardened steel blades
- 2 piece split bearing housing
- Advanced adjustable sealing system
- Amp meter control

OPTIONS >

- Rotary screen
- Hydraulic drive
- Touch screen PLC
- Hopper mounted viewing mirror
- Increased motor drive
- Bespoke colour scheme
- Gearbox with shrink disc
- Housing wear plates
- Sound absorbing hopper



GENERAL DESCRIPTION >

The DGD Heavy Duty Twin Shaft Shredder is a versatile, heavy duty, dual electric motor driven, twin shaft shredding machine, available with various power and shaft speed configurations to handle a wide range of applications.

The twin shaft shredder uses two parallel shafts with interlocking cutting discs, as a result the material is shredded both lengthways and crossways. The cutting discs have tipped blades which grab the material and pull it down into the cutting chamber, making it particularly effective when shredded large hollow containers.

The machine is not fitted with a fixed screen which means that issues with screen bridging/blocking are avoided and a consistent throughput can be achieved. The product size is controlled by the width of the shredding blades, number of hooks, and hook profile.

The machine is typically provided complete with loading hopper, support frame and stand-alone electrical control panel housing the electrical switchgear and Siemens PLC controller.

Auto-reverse and overload protection are standard features of the DGD Heavy

Duty Twin Shaft Shredder. The PLC settings can easily be configured on site during commissioning to suit the type of materials being processed. Maintenance platforms and auxiliary equipment such as conveyors, separators, recirculation screens, and force feeding devices are available on request.

A safety switch prevents machine startup when the front panel is open and the machine features emergency stop buttons on the machine body and control panel.

APPLICATIONS >

DGS Single Shaft Shredders have been designed with a wide range of applications and industries in mind such as:
PLASTICS / RUBBER / WOOD / BIOMASS / PAPER / ALTERNATIVE FUELS (RDF/SRF) / DOMESTIC & COMMERCIAL WASTE



Factory address: No.1.Fengqi Road, Yangqiao Town, Huishan District, Wuxi City, Jiangsu Province, China
HQ Office Address: No.288, Luouo Road, Luoshe Town, Huishan District, Wuxi City, Jiangsu Province, China
T. +86-510-8357 2002 F. +86-510-8357 0210 E. info@dgm-machinery.com
en.dgm-machinery.com

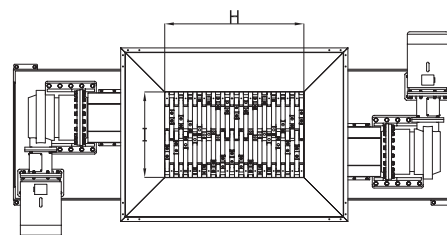
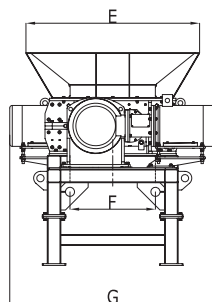
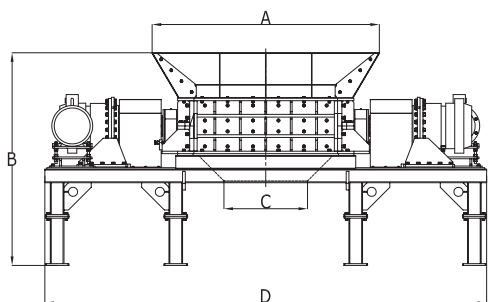
DGD HEAVY DUTY TWIN SHAFT SHREDDER

DGA/DGS/DGX/DGR/DGD/DGC/DGE/DGH/DGP/DPM



SPECIFICATION >

ITEM	UNIT	1000	1500	2000	
Cutting chamber	mm	1030x640	1530x940	2030x1500	
Cutting disc diameter	mm	330	500	800	
Rotor speed	rpm	11.6~12.9	11.6~12.9	9.1~10.4	
Main motor power	kw	2x18.5/2x22/2x30	2x37/2x45/2x55/2x75	2x75/2x90/2x110	
Cutting discs	pcs	60	90	150	
Machine dimensions	mm	3500x1900x2000	5000x2300x2500	7000x3200x4000	
Dimensions	A	mm	2000	2500	3600
	B	mm	2000	2240	4000
	C	mm	700	920	1500
	D	mm	3500	4860	7000
	E	mm	1500	1910	3000
	F	mm	640	940	1500
	G	mm	1900	2265	3200
	H	mm	1030	1530	2030
	I	mm	640	940	1530



Factory address: No.1.Fengqi Road, Yangqiao Town, Huishan District , Wuxi City, Jiangsu Province, China
 HQ Office Address: No.288, Luouo Road, Luoshe Town, Huishan District, Wuxi City, Jiangsu Province, China
 T. +86-510-8357 2002 F. +86-510-8357 0210 E. info@dgm-machinery.com
en.dgm-machinery.com