



PELLETIZING SYSTEMS >

> STRAND PELLETIZING

PRIMO 60/120 E

Strand pelletizing systems for utmost flexibility during production

 **AUTOMATIK**

Successfully applied by hundreds of customers, the proven PRIMO E pelletizers produce the highest quality of cylindrical pellets or micro-granulate compounds particularly suitable for further processing.

Variable system configurations allow for optimal matching with your specific production requirements and also provide utmost flexibility in terms of product changeover.

Your benefits

- Shortest possible unguided section from feeding unit to cutting unit to meet highest pellet quality standards, with single-sided bearing of the cutting rotor
- Quick exchange of tools and rollers
- System configuration suitable for soft, brittle and abrasive polymers
- Changes on the pellet length and weight to be made with Dual Drive
- Quick and easy access for cleaning and servicing, quick product changeover

PRIMO 60/120 E

Functionality and components of WSG systems

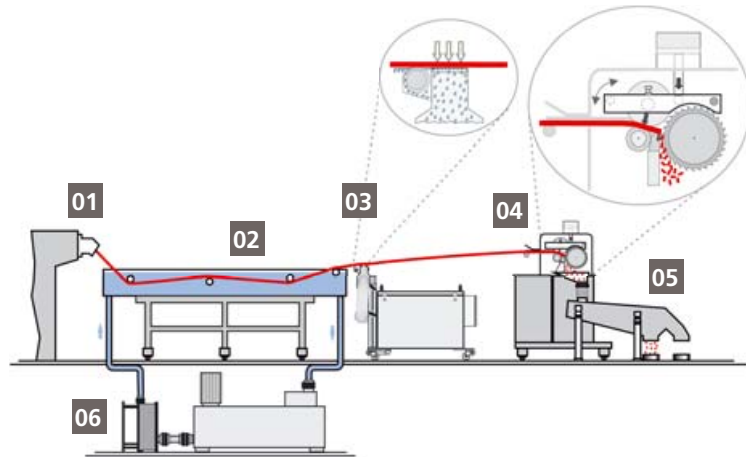
Functioning of the WSG systems

Polymer strands extruded from a die head **01** pass through the cooling trough **02**.

The air knife **03** ensures effective strand drying prior to cutting. The residual moisture after strand drying evaporates in the evaporation section.

The feed tools of the strand pelletizer **04** catch the polymer strands and direct them to the cutting tools where the strands are cut into pellets.

The pellets are classified, cooled and conveyed in subsequent operations **05**. The cooling water is filtered and temperature controlled in a process water unit **06** and then returned to the cooling trough.



WSG system components



Cooling trough KW 160



Cooling trough KW 160 with integrated process water unit



Die head SG200C



Air knife SE 100-2

PRIMO 60/120 E

Strand pelletizers

Strand pelletizer

- Single-sided bearing of the cutting rotor allows quick access for cleaning and servicing
- Strand draw-in speeds of up to 150 m/min possible
- Shifting of operating range possible through selection of individual components
- Sound protection hood
- Upper feed roll and cutting head cooling for high temperature applications
- Optimized start-up for soft products using Soft Polymer Kit
- Infinitely variable pellet length adjustment through Dual Drive possible
- Classifier can be attached directly to the machine frame of the PRIMO E



PRIMO 60 E
Full equipment



PRIMO 60 E Base

Cutting tools

Our specialists support you in selecting the cutting tools best fitting to your product and process. We have more than 150 different rotor variants with the appropriate bed knives and feed roll materials, optimally adapted to your product.

- Selection of cutting tools subject to application, e.g. cutting rotor for soft polymers with shore hardness < 60 shore or for brittle plastics
- Wide range of steel grades, e.g. tool steel, tungsten carbide, PM steel



View into the cutting chamber



Cutting tools of PRIMO E pelletizers

PRIMO 60/120 E

Technical data

Technical data:	PRIMO 60 E	PRIMO 120 E
Operating width:	60 mm	120 mm
Drive system:	AC motor with belt drive	
Motor power of pelletizer:	2.2 kW	4.0 kW
Line speed at pellet length of 3 mm:	20-90 m/min	
No. of strands at a 50 % utilization rate and a pellet diameter of 3 mm:	10	16

Throughput rates [kg/h]*:		PRIMO 60 E	PRIMO 120 E
Product:	Density [g/cm ³]		
PP, PE:	0.91	350	750
GPPS, SAN:	1.04	400	750
ABS, HIPS:	1.04	400	750
PMMA:	1.18	450	750
PET, PBT:	1.31	500	600
PA 6, PA 6.6:	1.14	425	510 (12)
PET, PBT, PA, PP + 15 to 50 % glas fiber:	1.00	375	375 (10)
	1.55	500	500 (10)
Thermoplastic elastomers:	1.10	425	750
Masterbatch with > 40 % fillers:	1.30	500	750

* Pellet length 3 mm, pellet diameter 3 mm, and maximum number of strands.

