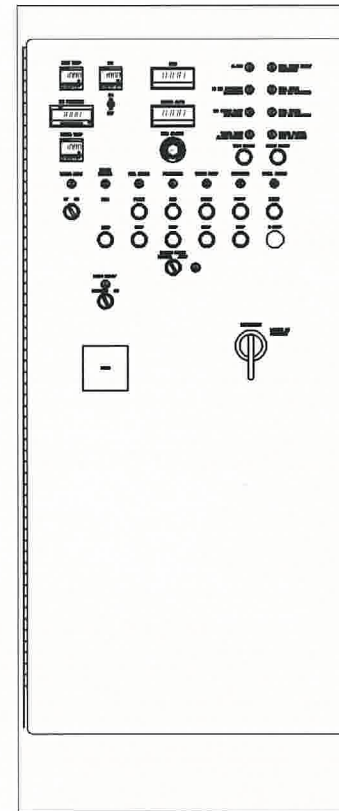
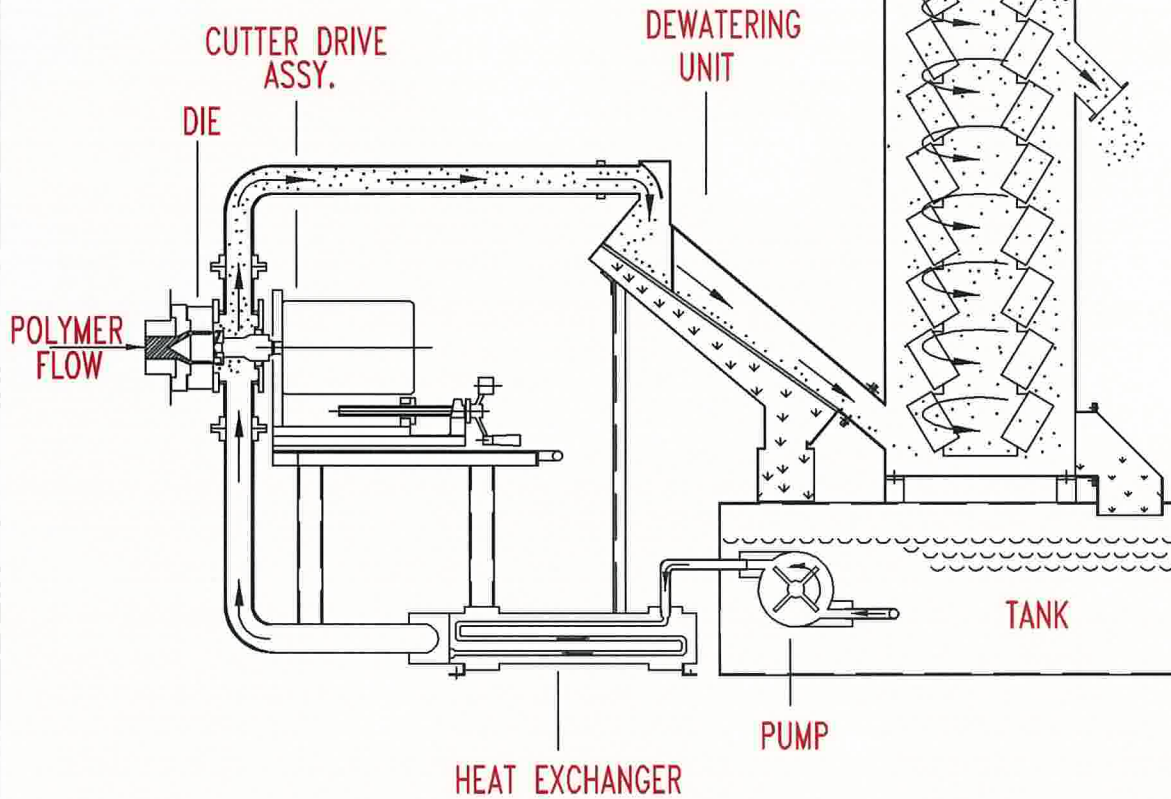


UNDERWATER PELLETIZER CAPACITIES

* RATES BELOW FOR SPECIFIC GRAVITY OF 1.0

HOLE DIA.	MOTOR RPM	NO. OF BLADES	MODEL 3.1				MODEL 5.5				
			24 HOLES		48 HOLES		NO. OF BLADES	50 HOLES		100 HOLES	
			LBS./HR	MODEL	LBS./HR	MODEL		LBS./HR	MODEL	LBS./HR	MODEL
.125	3500	4	1056		2112		3300		6600	5.5-100	
.110	3500	4	792	3.1-24	1584	3.1-48	6	2500	5.5-50	5000	5.5-100
.093	3500	4	600		1200		1850		3700	5.5-100	

CENTRIFUGAL DRYER



CONTROL PANEL