



Reinbold
Entsorgungstechnik



„BEAR“ FORCE AND RELIABILITY

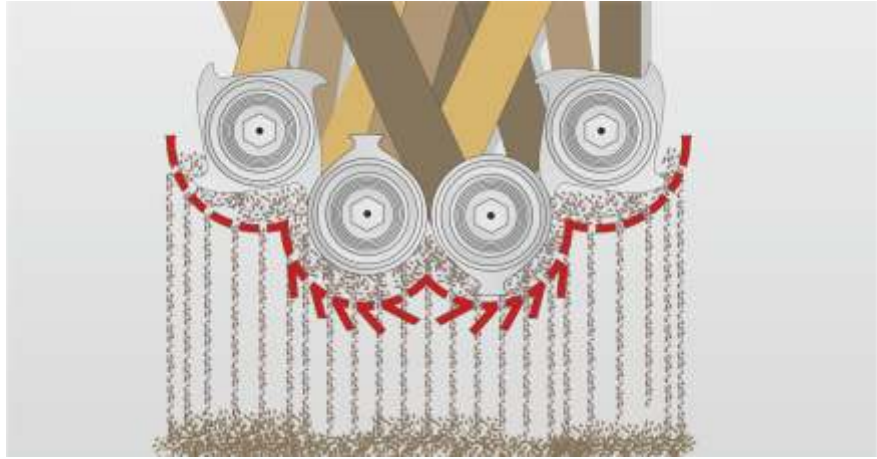
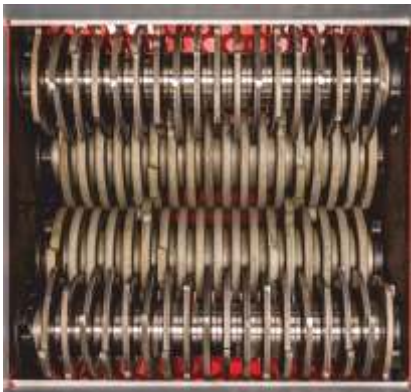
FOUR SHAFT SHREDDER

**RMZ 500 -
RMZ 1000 S**



Four Shaft Shredder RMZ 500 - RMZ 1000 S

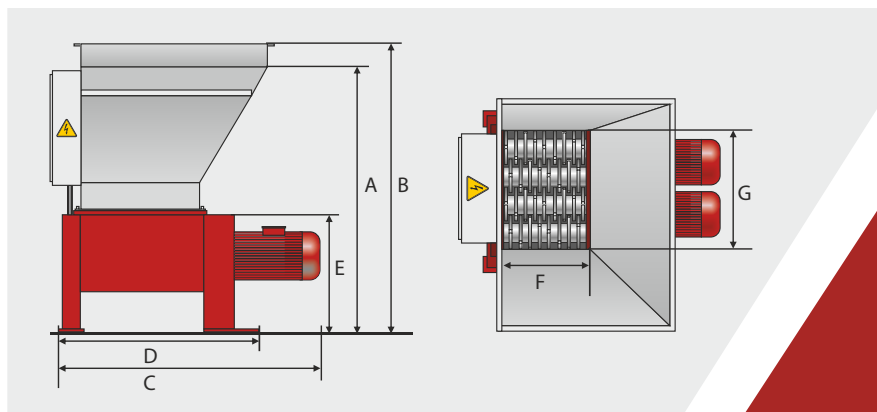
The RMZ 4 shaft shredder shreds easily waste of wood, plastics and some kinds of metal. Any waste getting in to the machine is standing on the cutting- or feeding blades which make the RMZ very efficient. Its also very common for long pieces and a rough grinding. This rugged shredder fitted with an electric control system to avoid a overloading and it switches the machine off if the hopper is empty. The large hopper and the 4 shafts guarantees an high output by a low power consumption, over al it's a machine with a very good cost-benefit analysis.



The cutting system deceed over 2 shafts with cutting blades and 2 shafts with broaching blades, as an option all shafts can be fitted with cutting blades. The cutting system is driven by firm cogwheels which run in a closed oil bath. Additional breakers underneath the perforated screen prevent the occurrence of long chips. The size of the holes in the screen determines the size of the chip.

Type		RMZ 500	RMZ 700 S	RMZ 1000 S
Hopper opening				
Width	(mm)	1.000	1.300	1.500
Lenght	(mm)	1.250	1.400	1.400
Cutting tool opening				
Width (F)	(mm)	462	760	990
Lenght (G)	(mm)	562	700	700
Plate-Ø	(mm)	235	280	280
Motor output	(kW)	2 x 11	2 x 15 / 2 x 18,5 2 x 22	2 x 15 / 2 x 18,5 2 x 22 / 2 x 30
Output with a Screen-perforation				
Ø 20 mm	(kg)	300-500	600-1.200	800-1.500
Ø 25-40 mm	(kg)	500-800	800-1.500	1.000-2.000
Weight	(approx. kg)	1.300	2.500	3.000
Size A	(mm)	1.660	1.660	1.690
Size B	(mm)	1.970	1.980	1.980
Size C	(mm)	1.400	1.780	2.250
Size D	(mm)	1.040	1.250	1.470
Size E	(mm)	830	830	830

* depending on material, conditions, screen size and input rate



Reinbold Entsorgungstechnik GmbH

Robert-Mayer-Strasse 5
74360 Ilsfeld (Germany)

Phone: +49 (0) 7062 / 97885-0

Fax: +49 (0) 7062 / 97885-50

info@reinbold.de

www.reinbold.de

Your dealer:

