



DUAL SHAFT SHREDDERS

DS-21150 & DS-21200

Ameri-Shred's Dual Shaft Shredders utilize a low speed, high torque design to easily shred a wide range of materials to a desired size.



Features & Options

SMALL FOOTPRINT

Right angle drives allow for a compact design, minimizing floor space.

BEARING PROTECTION

Shredded contaminants are prevented from reaching the bearings through the use of false walls and seals.

INDIVIDUAL CLEANING FINGERS

Reduces wrapping and material packing between the cutters, while being easy to remove and adjust.

CUSTOM LAYOUTS

System Engineers will work to ensure the shredder and supports fit seamlessly into your system.

CUTTER DESIGN

The number and length of hooks, as well as cutter width and material are selected to maximize throughput at the required shred size.

AUTO SHAFT REVERSAL

Improves online reliability by reorienting material to grab, preventing overfeeding, and protecting against damage from unshreddable objects.

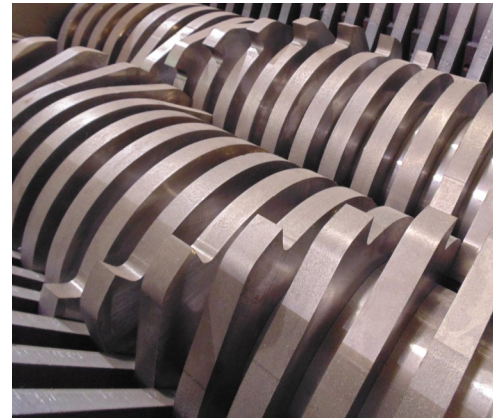
HIGH TORQUE, LOW SPEED TECHNOLOGY

Efficiently process bulk fed, tough to shred materials. Less downtime, noise and dust emission than high speed shredders.

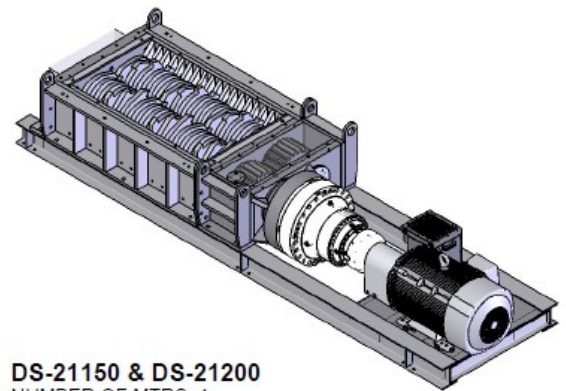
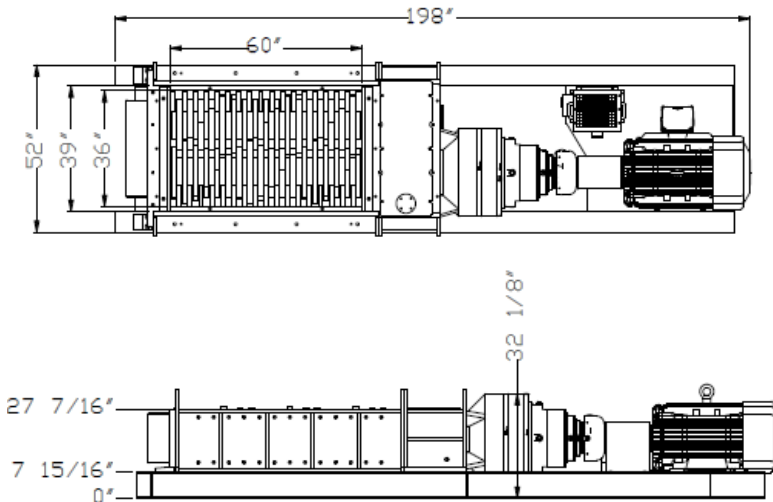
DUAL SHAFT SHREDDERS

DS-21150 & DS-21200

DRIVE	ELECTRIC
NUMBER OF MOTORS	1
HORSEPOWER	150 - 200
VOLTAGE	230/460V - 3 PHASE
CUTTER THICKNESS (nominal)	1.5", 2", 2.5", 3" or 4"
CUTTER MATERIAL	41 40 HT
CUTTER DIAMETER	20"
HEX SHAFT SIZE	7"
CUTTING CHAMBER (W X L)	39" W x 60" L (Other Lengths Available)



Hopper and Stand ARE CUSTOM DESIGNED PER APPLICATION



DS-21150 & DS-21200
NUMBER OF MTRS: 1



**Let us provide a
TURNKEY SOLUTION**

Everything from the cutter profile to the system layout is carefully considered to ensure you obtain the shred size and throughput you need. Our goal is to maximize the efficiency of your process with a shredder that fits seamlessly with your other equipment.