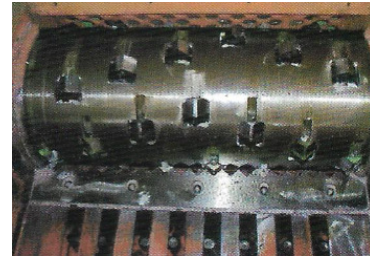
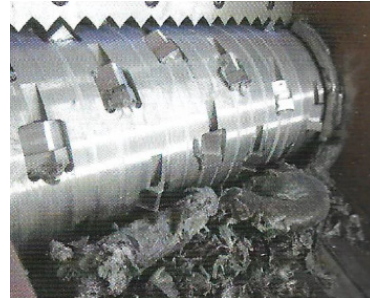


TECHNICAL SPECIFICATIONS

Single-Shaft Shredder ZS14



General Characteristics:

- Type: ZS14
- Crushing Chamber: 960x1410 mm
- Rotor Knives: 68 pcs
- Stationary Knives: 4 pcs
- Knife Material: Cr12MoV
- Motor Power: 75-90 kW
- Hydraulic Power: 5.5 kW
- Shaft Speed: 80 rpm
- Rotor diameter: 450 mm
- Capacity: 1400-2000 kg/h

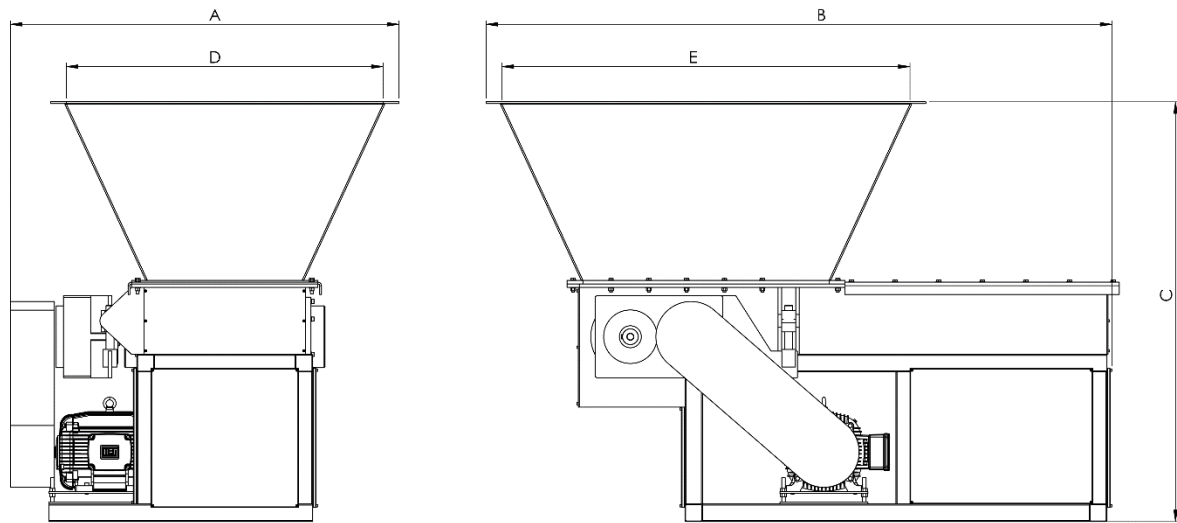
Knives:

- Tempered steel type Cr12MoV for stationary and rotor knives.
- Heat-treated to 60 HRC.
- All surfaces are precision grounded.

Control System:

- PLC control

Dimensions:



A	B	C	D	E	weight
3000 mm	3200 mm	2300 mm	1800 mm	1400 mm	5800 kg