

## Baler ARTechnic PBe40



### Advantages of the machine:

- **The moving of the pressing plate is kept extremely rigid and straight.** The hydraulic cylinder does not take the bending forces from the pressing plate, which could lead to its damage. These forces are taken over by special plastic guides which are tailored to the corners of the chamber. The guides are made from specially chosen plastic, which is characterized by very high resistance to abrasion. Therefore, these elements are extremely durable. This avoids the need to control the tilt of the pressing plate. Because of all this you can easily exploit our machines, even for very demanding materials, without worrying of an improperly use of the machine.

- **The steel construction** of our machines is designed to withstand loads far in excess of the rated load for the different models (this is why our machines have a generally bigger own mass compared to the competition)

- **A system to prevent the decompressing of material** after subsequent cycles of work.

- **Possibility to bind the packages (bales) with all commonly used materials** like a polyester tape, twine or steel wire;

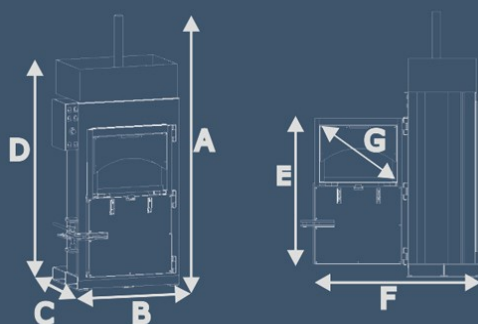
- **The possibility of producing specified machines** concerning the customer's request e.g. changes in the stroke of the pressing plate, changes in the loading hole, changes in the size of the bale, etc.

- **Possibility to choose the version of the controller** and to choose additional options, depending on individual needs
- **Unmanned and durable** hydraulic system
- **No hidden costs of operating the machine**

### Technical specification

Number of chambers:	single	Loading:	frontal
Charging hole:	740 x 470 mm	Bale tying:	manual
Max. pressure:	40kN (4 tons)	Bale launch:	manual – by a special truck
Unit pressure:	1,14 kg/cm <sup>2</sup>	Supply:	230/50 (optional 400/50) [V/Hz]
Bale dimensions:	700 x 500 x 600	Engine power:	1,5 kW
Bale weight:	ok. 30 – 60 kg	Work cycle:	ca. 26 seconds
Productivity:	ok. 3 – 4 bale/h	Weight:	500 kg

### Dimension



LEGEND		[mm]
<b>A</b>	height	2155
<b>B</b>	width	1010
<b>C</b>	depth	720
<b>D</b>	transport height	1750
<b>E</b>	door height	1115
<b>F</b>	depth with open door	1495
<b>G</b>	filling inlet	740 x 470

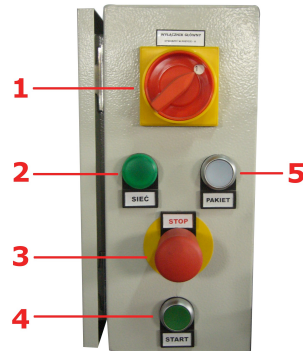
**Available steering types:**

**Steering p (PLUS)**

**Features**

- Controller PLC
- Automatic digital steering of the work cycle
- Finished-bale signal

**Control Panel**



1. Main switch
2. A green light indicates a connection of the bale to power and that the main switch is turned ON
3. Emergency "STOP" switch
4. Button "START" starts the pressing process
5. The white light "PACKET" indicates that the press has achieved the maximum filling

**Gallery**



**Contact**

**Headquarter**

ARTechnic  
ul. Gen. St. Maczka 9  
43-300 Bielsko-Biała  
Poland

**Phones**

Tel. +48 (33) 816 01 69  
fax +48 (33) 443 20 46

**E-mail and Web Site**

biuro@artehnic.pl  
[www.artehnic.pl](http://www.artehnic.pl)  
[www.belowniceuzywane.pl](http://www.belowniceuzywane.pl)