



## VERTICAL BALERS

REI provides the most innovative and versatile balers in the industry, featuring the right components for successful baling. Our strong frames come with a lifetime warranty. Our high pressure compaction force creates the high bale density you need with energy efficient hydraulics.

REI proudly offers products designed to make a measurable difference in safety, energy consumption and our environment, while providing performance & durability, since 1994.



**Recycling  
Equipment Inc**

Providing recycling solutions that  
preserve our natural resources

888.734.3783

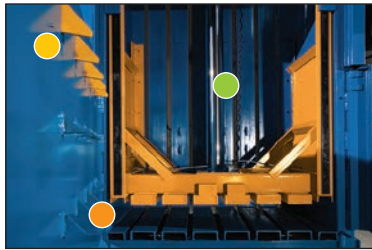
GoGreenREI.com

AskREI@GoGreenREI.com



# VB-Series

REI Vertical Balers are engineered with heavy steel throughout and fixture welded components. All REI Vertical Balers produce high density bales of a wide variety of materials in a single baler.

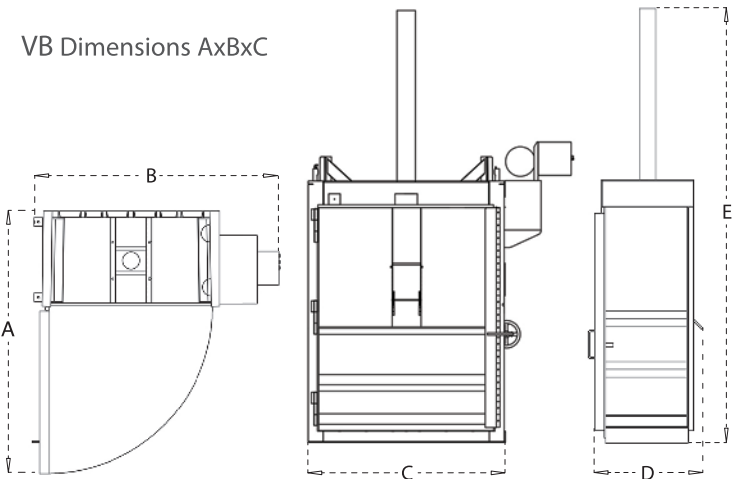


- Standard features:**
- Full platen guides protect from side loading
  - Full penetration cylinder
  - Retractable teeth

Fixture welded components ensure precision operation

VB-Series L x D x H (inches)					
MODEL	A	B	C	D	E
VB 605-60-10	94	100	67	44	150
VB 606-42-15	94	100	67	44	150
VB 607-60-20	94	100	67	44	150
VB 727-60-20	106	112	79	44	150

Please refer to drawings below for location of A, B, C, D and E.



VB-Series GENERAL SPECIFICATIONS				
MODEL	VB 605-60-10	VB 606-42-15	VB 607-60-20	VB 727-60-20
BALE WEIGHT (lbs) OCC	up to 1,000	up to 1,100	up to 1,200	up to 1,200
BALE WEIGHT (lbs) Plastic Film	up to 1,000	up to 1,100	up to 1,200	up to 1,200
NOMINAL BALE SIZE (in)	60 x 30 x 48	60 x 30 x 48	60 x 30 x 48	72 x 30 x 48
AVERAGE CYCLE TIME (sec)	29	24	43	43
FEED OPENING (in) L X H X D	60 x 28 x 30	60 x 28 x 30	60 x 28 x 30	72 x 28 x 30
HI EFFICIENCY TEFC MOTOR (HP)	10	15	20	20
PUMP GMP	12.5	15	15	15
SYSTEM PRESSURE (psi)	3,000	3,000	2,400	2,400
APPROXIMATE PLATEN FORCE (lbs)	60,000	84,800	92,360	92,360
CYLINDER BORE (in)	5	6	7	7
CYLINDER STROKE (in)	60	42	60	60
HYDRAULIC TANK CAPACITY (gallons)	25	40	40	40
SHIPPING WEIGHT (lbs)	5,000	5,800	5,800	5,800

ALL MODELS MEET ANSI Z-245.5 BALER SAFETY STANDARDS  
 ALL MODELS ELECTRICAL COMPONENTS ARE UL, ETL AND CE APPROVED  
 SOLAR POWER, CONSULT FACTORY FOR FULL SPECIFICATIONS

*REI reserves the right to modify these specifications without notice or liability to previously sold machines.*



- 1200# Can Bales
- 1000# Plastic Film Bales
- 550# PET Bales

1100# OCC Bales

Our flagship model VB 605-60-10 produces a mill standard 60" bale, features a 60" stroke cylinder, 60,000 lbs. of force and 60% less energy compared to traditional balers.

These bales were produced using our flagship model VB 605-60-10



**Recycling Equipment Inc**

Providing Recycling Solutions That Preserve Our Natural Resources

